

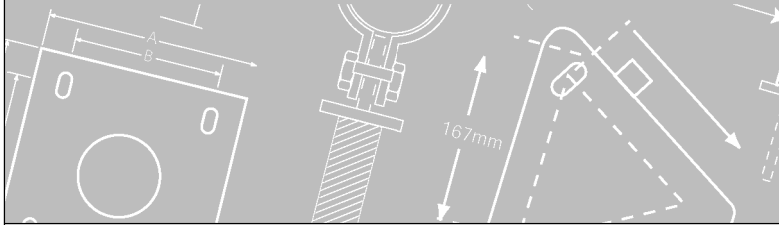


**PIGGOTTS**

Est. 1780

Innovation through tradition

# TECHNICAL SPECIFICATION SHEET



**Head Office:**  
London Road, Stanford Rivers,  
Ongar, Essex CM5 9PJ  
Tel: 01277 363262  
Fax: 01277 365162

## 1 - FIBREGLASS FLAGSTAFFS EXTERNAL HALYARDS

E-mail: sales@piggotts.co.uk  
Website: www.piggotts.co.uk

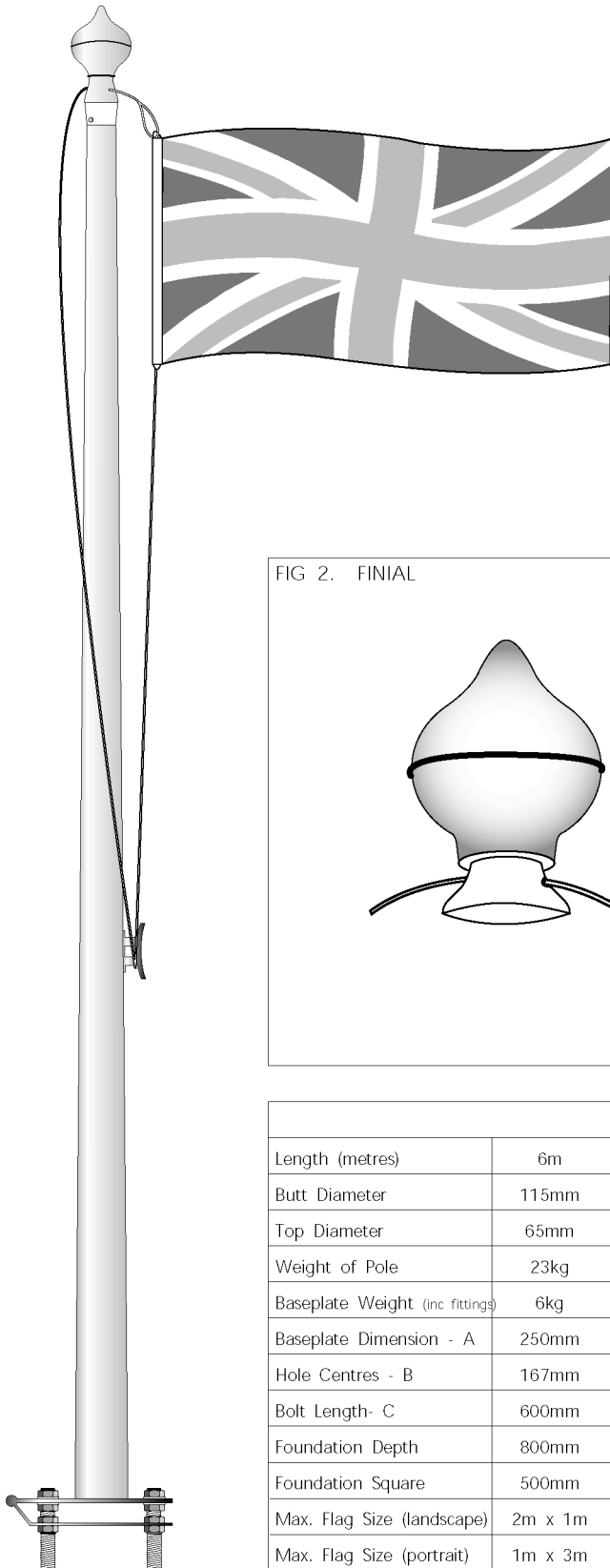


FIG 1. BASEPLATE

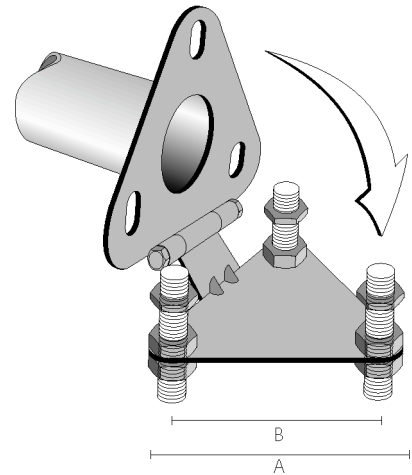


FIG 2. FINIAL

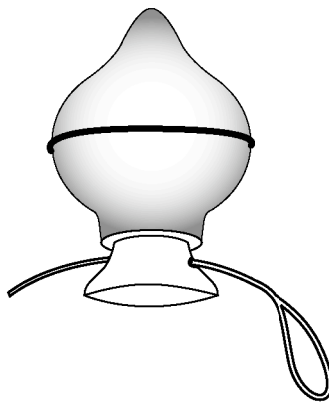
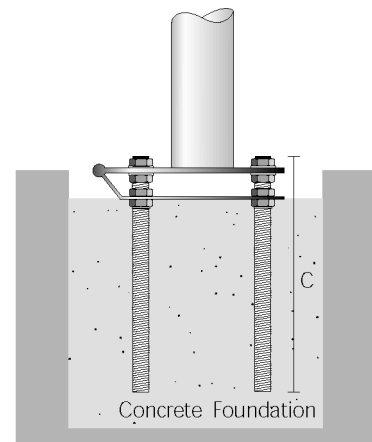


FIG 3. BASEPLATE FOUNDATION



FIBREGLASS FLAGSTAFFS						
Length (metres)	6m	7m	8m	9m	10m	12m
Butt Diameter	115mm	115mm	115mm	115mm	135mm	135mm
Top Diameter	65mm	65mm	65mm	65mm	65mm	65mm
Weight of Pole	23kg	23kg	27kg	29kg	38kg	43kg
Baseplate Weight (inc fittings)	6kg	6kg	6kg	6kg	6kg	6kg
Baseplate Dimension - A	250mm	250mm	250mm	250mm	250mm	250mm
Hole Centres - B	167mm	167mm	167mm	167mm	167mm	167mm
Bolt Length- C	600mm	600mm	600mm	600mm	600mm	600mm
Foundation Depth	800mm	800mm	1000mm	1100mm	1250mm	1400mm
Foundation Square	500mm	500mm	500mm	650mm	650mm	650mm
Max. Flag Size (landscape)	2m x 1m	2m x 1m	2.5m x 1.25m	2.5m x 1.25m	3m x 1.5m	3.5m x 1.75m
Max. Flag Size (portrait)	1m x 3m	1m x 3m	1m x 3m	1m x 4m	1m x 4m	1m x 5m