

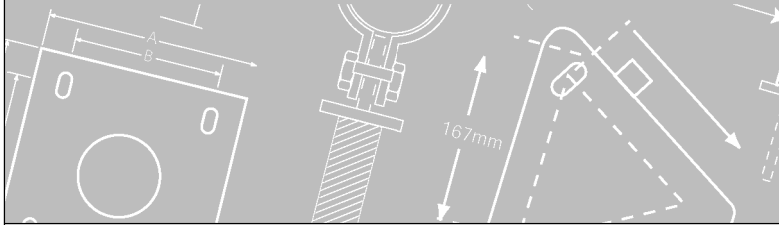


PIGGOTTS

Est. 1780

Innovation through tradition

TECHNICAL SPECIFICATION SHEET



Head Office:
London Road, Stanford Rivers,
Ongar, Essex CM5 9PJ
Tel: 01277 363262
Fax: 01277 365162

**2 - FIBREGLASS FLAGSTAFFS
INTERNAL HALYARDS**

E-mail: sales@piggotts.co.uk
Website: www.piggotts.co.uk

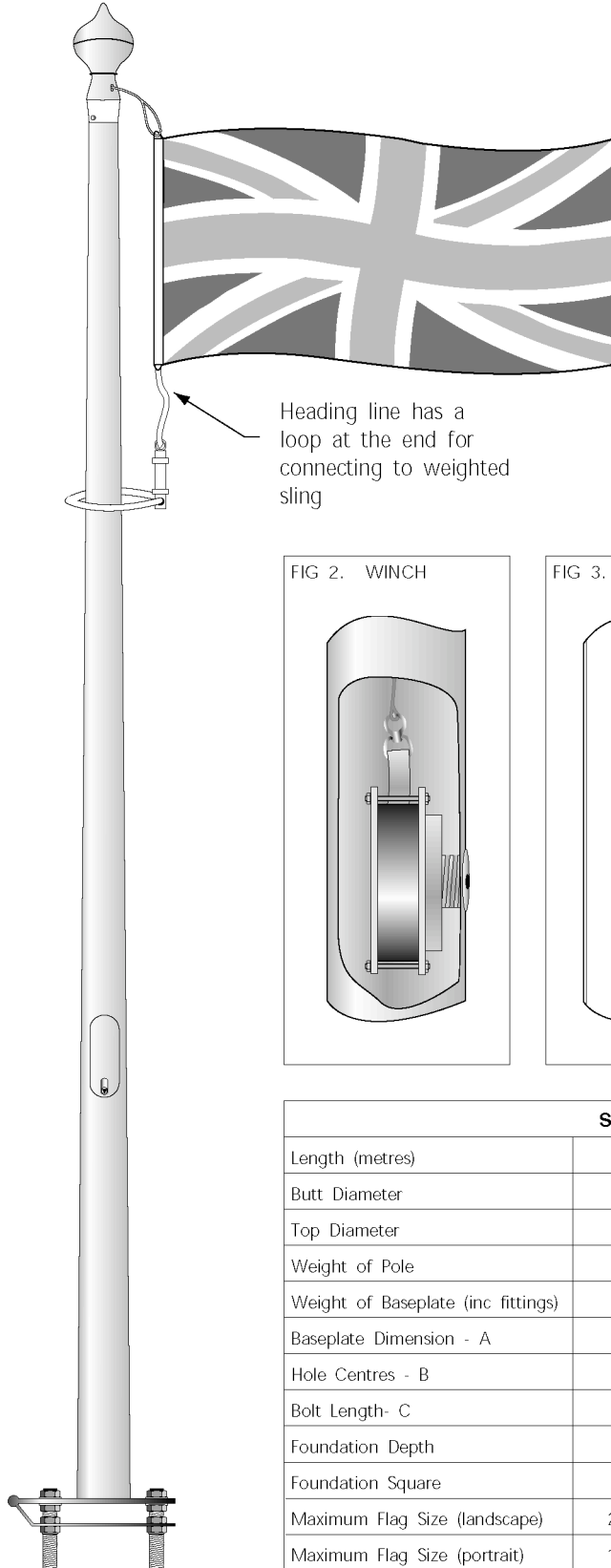


FIG 1. BASEPLATE

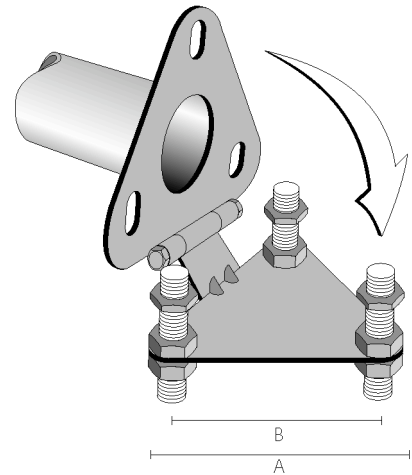


FIG 2. WINCH

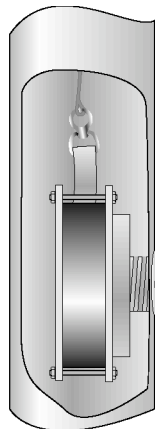


FIG 3. LOCKABLE DOOR HALYARD

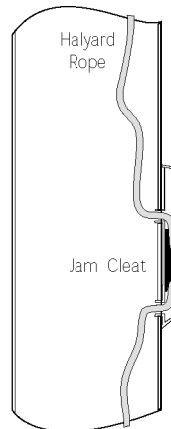
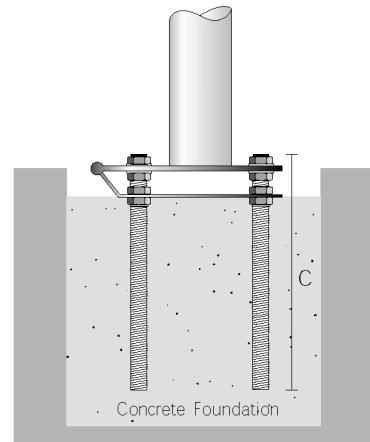


FIG 4. BASEPLATE FOUNDATION



STANDARD FIBREGLASS FLAGSTAFFS					
Length (metres)	6m	8m	9m	10m	12m
Butt Diameter	115mm	115mm	115mm	135mm	135mm
Top Diameter	65mm	65mm	65mm	65mm	65mm
Weight of Pole	23kg	27kg	29kg	38kg	43kg
Weight of Baseplate (inc fittings)	6kg	6kg	6kg	6kg	6kg
Baseplate Dimension - A	250mm	250mm	250mm	250mm	250mm
Hole Centres - B	167mm	167mm	167mm	167mm	167mm
Bolt Length- C	600mm	600mm	600mm	600mm	600mm
Foundation Depth	800mm	1000mm	1100mm	1250mm	1400mm
Foundation Square	500mm	500mm	650mm	650mm	650mm
Maximum Flag Size (landscape)	2m x 1m	2.5m x 1.25m	2.5m x 1.25m	3m x 1.5m	3.5m x 1.75m
Maximum Flag Size (portrait)	1m x 3m	1m x 3m	1m x 4m	1m x 4m	1m x 5m