

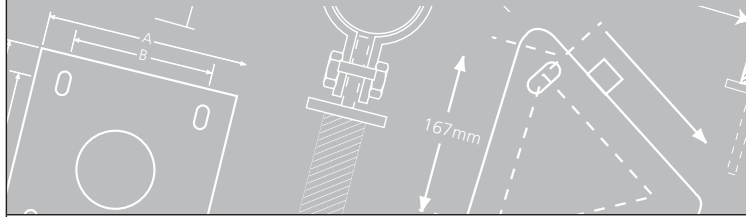


PIGGOTTS

Est. 1780

Innovation through tradition

TECHNICAL SPECIFICATION SHEET

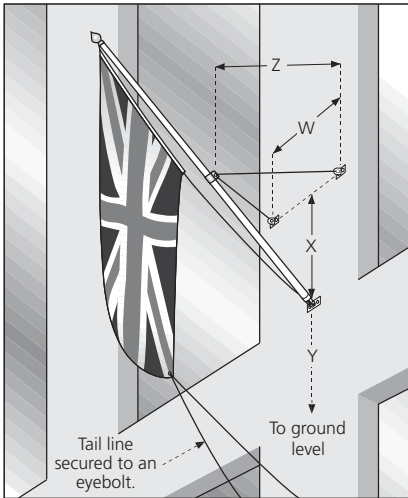


Head Office:

London Road, Stanford Rivers,
Ongar, Essex CM5 9PJ
Tel: 01277 363262
Fax: 01277 365162

E-mail: sales@piggotts.co.uk
Website: www.piggotts.co.uk

15 - ANGLED FLAGSTAFFS



Fittings of your angled flagstaff

Spread between stay bracket (W): _____

Distance between butt bracket to stay brackets (X): _____

Size of stainless steel rawbolt: _____

Butt T bracket: _____ M12 x _____ mm

Stay T brackets: _____ M12 x _____ mm

Position of butt (A/B): _____

Height of butt above ground level (Y): _____

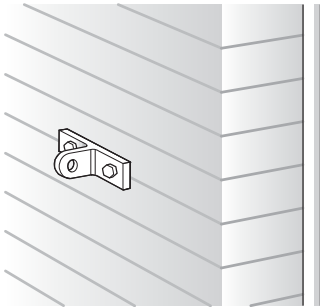
Length of stays (Z): _____

Flag size: _____

Fixing bolts are usually M12 rawbolts in stainless steel to suit site requirements.
The average angle of the flagpole is 30° from the horizontal.

Standard Stay T Bracket

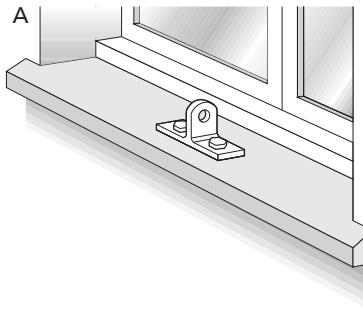
Normally secured by
150mm rawbolts



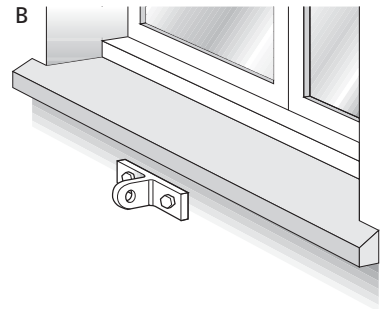
Butt T Bracket

Suitable for both horizontal and vertical surfaces.

Sill fitting - Standard
Normally secured by M12 x 90mm

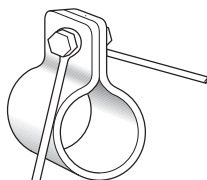


When sill is too narrow or poor quality,
or when window opens outwards.



Top band and stay fittings

One way band

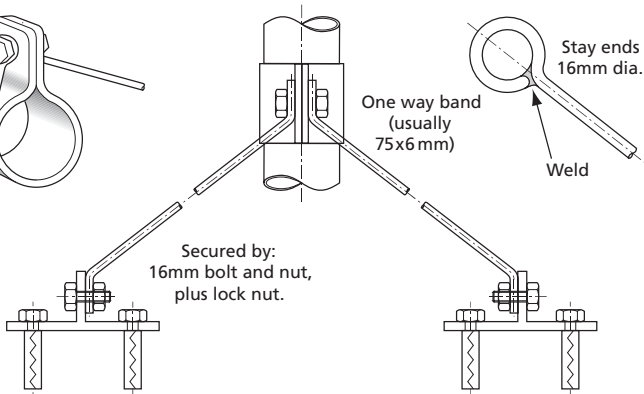


One way band
(usually
75x6 mm)

Stay ends
16mm dia.

Weld

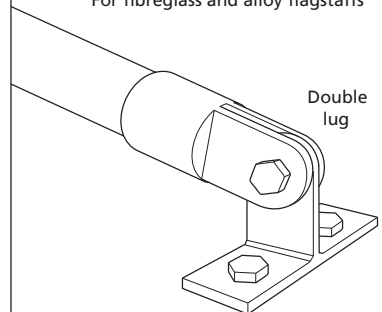
Secured by:
16mm bolt and nut,
plus lock nut.



Cup band fitting

For fibreglass and alloy flagstaffs

Double
lug



All 'T' brackets are 230 x 50 x 6mm with
upstand (or outstand) of 90 x 50 x 10mm.
Unless specials to suit site requirements.