

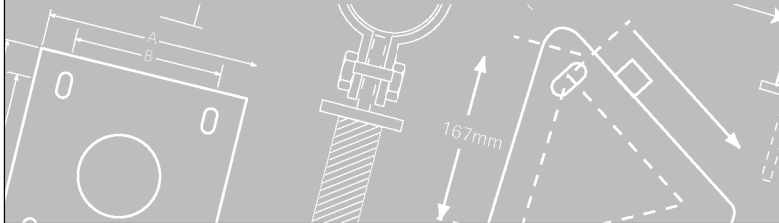


PIGGOTTS

Est. 1780

Innovation through tradition

TECHNICAL SPECIFICATION SHEET



Head Office:

London Road, Stanford Rivers,

Ongar, Essex CM5 9PJ

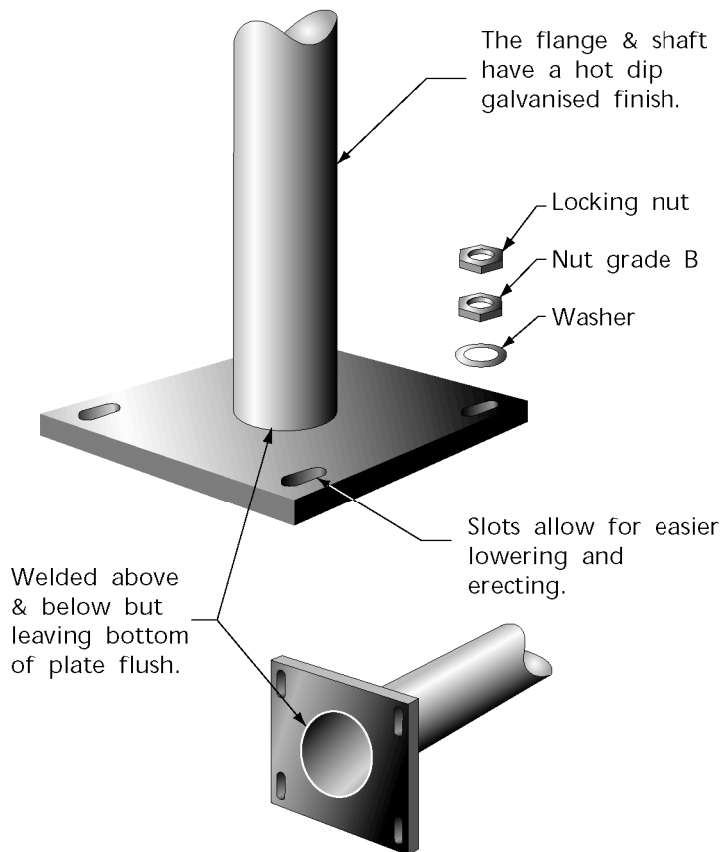
Tel: 01277 363262

Fax: 01277 365162

8 - FIXED FLANGE ASSEMBLY

E-mail: sales@piggotts.co.uk

Website: www.piggotts.co.uk



The flange & shaft have a hot dip galvanised finish.

Locking nut

Nut grade B

Washer

Slots allow for easier lowering and erecting.

Welded above & below but leaving bottom of plate flush.

Piggotts' fixed flange assemblies are used on fibreglass and aluminium flagstaffs, to fix the staffs to a concrete base set into the ground. The steel spigot is permanently bonded inside the flagstaff butt, by the application of fibre matt impregnated with polyester resin.

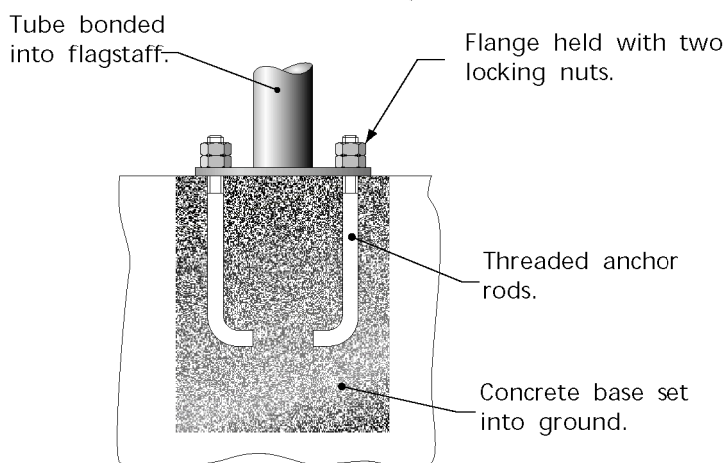
If desired, the concrete base can be set a few inches lower than the surrounding level, to allow grass to be turfed over. This hides the flange from view. Plastic sheeting should be used for protection when the flange is under turf etc. Chippings can also be used as good cover.

Shims can be placed under the plate, when the concrete is uneven.

The flange should not be cemented over, as this could cause many problems in lowering the flagstaff.

FINISHES

The flange and shaft have a hot dip galvanised finish. The top 6" of the foundation bolts are also hot dip galvanised finish.

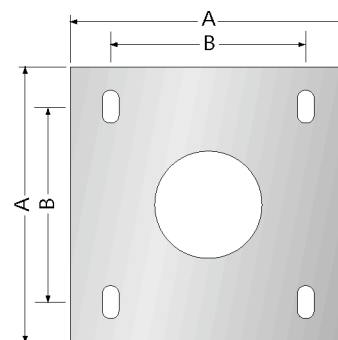


Tube bonded into flagstaff.

Flange held with two locking nuts.

Threaded anchor rods.

Concrete base set into ground.



Fixed Flange Assemblies are fabricated to suit individual applications.