

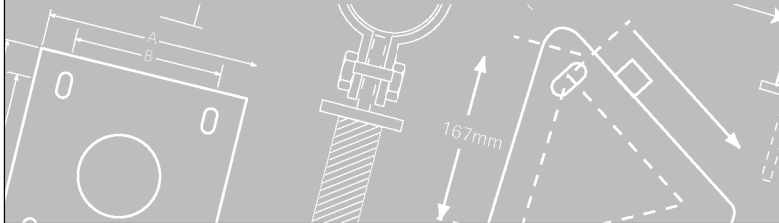


**PIGGOTTS**

Est. 1780

Innovation through tradition

**TECHNICAL SPECIFICATION SHEET**

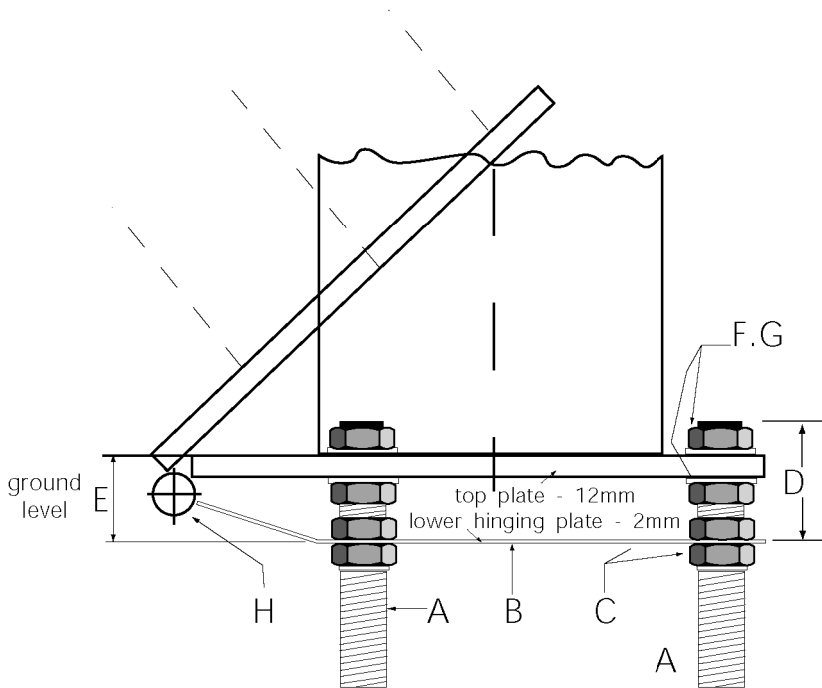
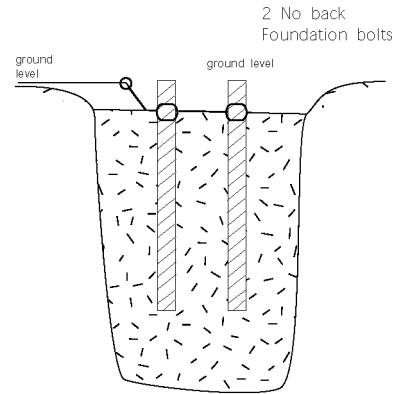
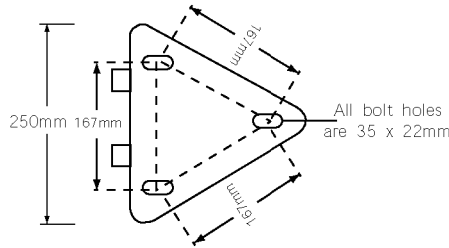
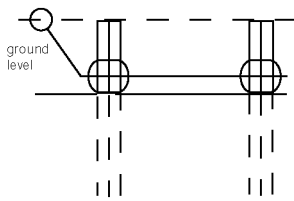


**Head Office:**  
London Road, Stanford Rivers,  
Ongar, Essex CM5 9PJ  
Tel: 01277 363262  
Fax: 01277 365162

**9 - GALVANISED STEEL, 3 BOLT  
HINGED BASEPLATE**

E-mail: sales@piggotts.co.uk  
Website: www.piggotts.co.uk

First fitting



Flagstaff length	Suggested Concrete depth
5m	80cm
6m	80cm
7m	90cm
8m	100cm
9m	100cm
9m	110cm
10m	120cm
11m	130cm
12m	140cm
13m	150cm
14m	160cm
15m	170cm
16m	180cm
17m	190cm
18m	200cm

1. First attach the 3 anchor rods (A) to the base plate (B). Use the thinner nuts (C). Distance (D) must be 75mm: Dimension (E) should thus be about 53mm.

2. The unit is then placed in the hole and fixed in a vertical position. When installed in this way, the pole appears to be level with the ground so that the base installation is not visible. Don't forget to place the hinge in a position whereby the pole can easily be raised or lowered.

3. Concrete is poured up to the ground plate.

4. The pole may be erected after the concrete has hardened. Attach the lower nuts (F) and place washers (G). Draw down nuts as possible. Attach pole with hinge screws (H). Attach finial to top of flagstaff and install halyard and cleat.

5. Raise flagstaff, install top washers (G) and nuts (F). Adjust flagstaff into vertical position with (F). Draw tight.

Note:  
After several weeks draw down all nuts once again.  
Foundation bolts - M20 x 600mm