

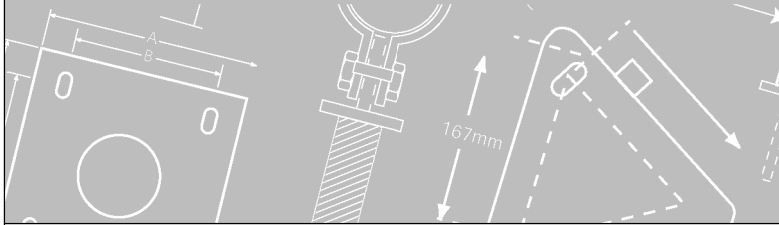


PIGGOTTS

Est. 1780

Innovation through tradition

TECHNICAL SPECIFICATION SHEET



Head Office:

London Road, Stanford Rivers,

Ongar, Essex CM5 9PJ

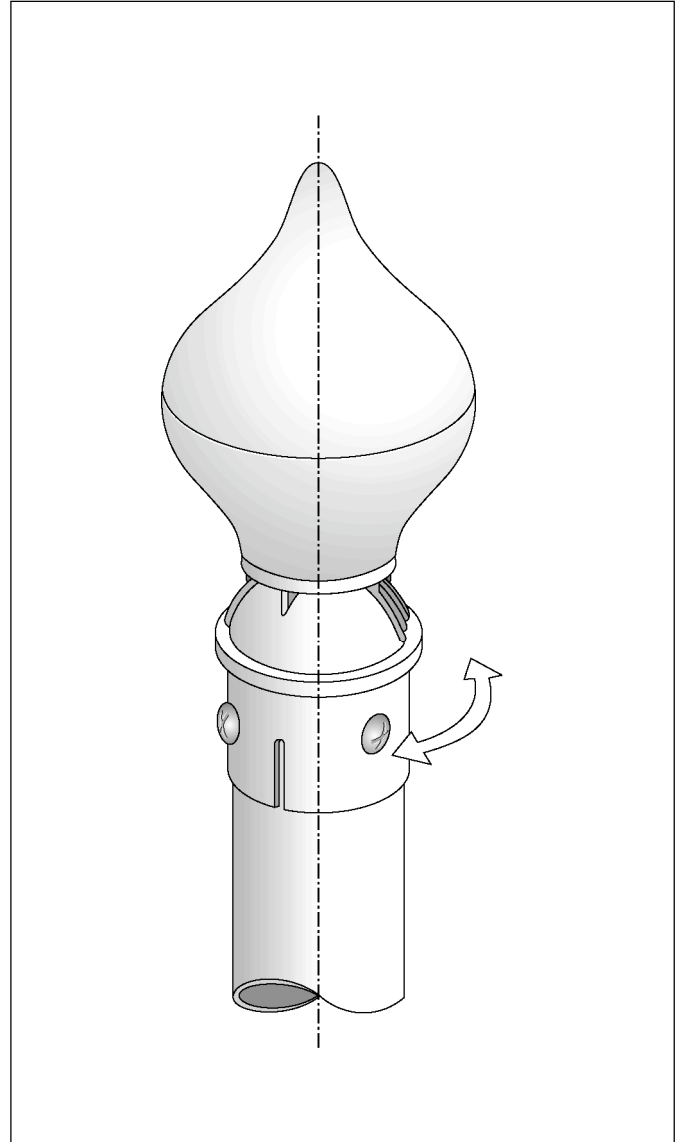
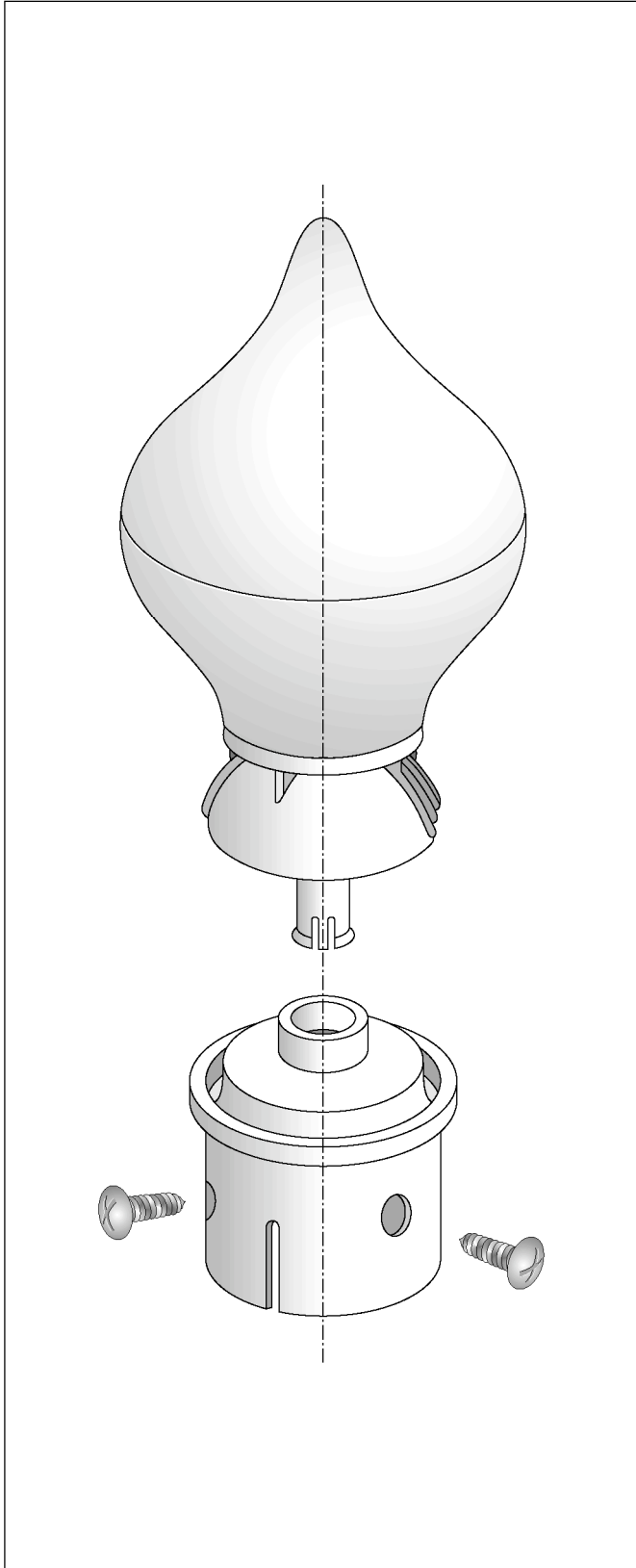
Tel: 01277 363262

Fax: 01277 365162

5 - ROTATING FINIAL DETAIL

E-mail: sales@piggotts.co.uk

Website: www.piggotts.co.uk



Onion-shaped finials - made in light-resistant, dyed-through gold or silver acrylic, formed in pieces with a central retaining screw securing these to the rotating top capping, (which can be used for either internal or external halyard systems), allowing the halyard and flag to turn with the wind. The